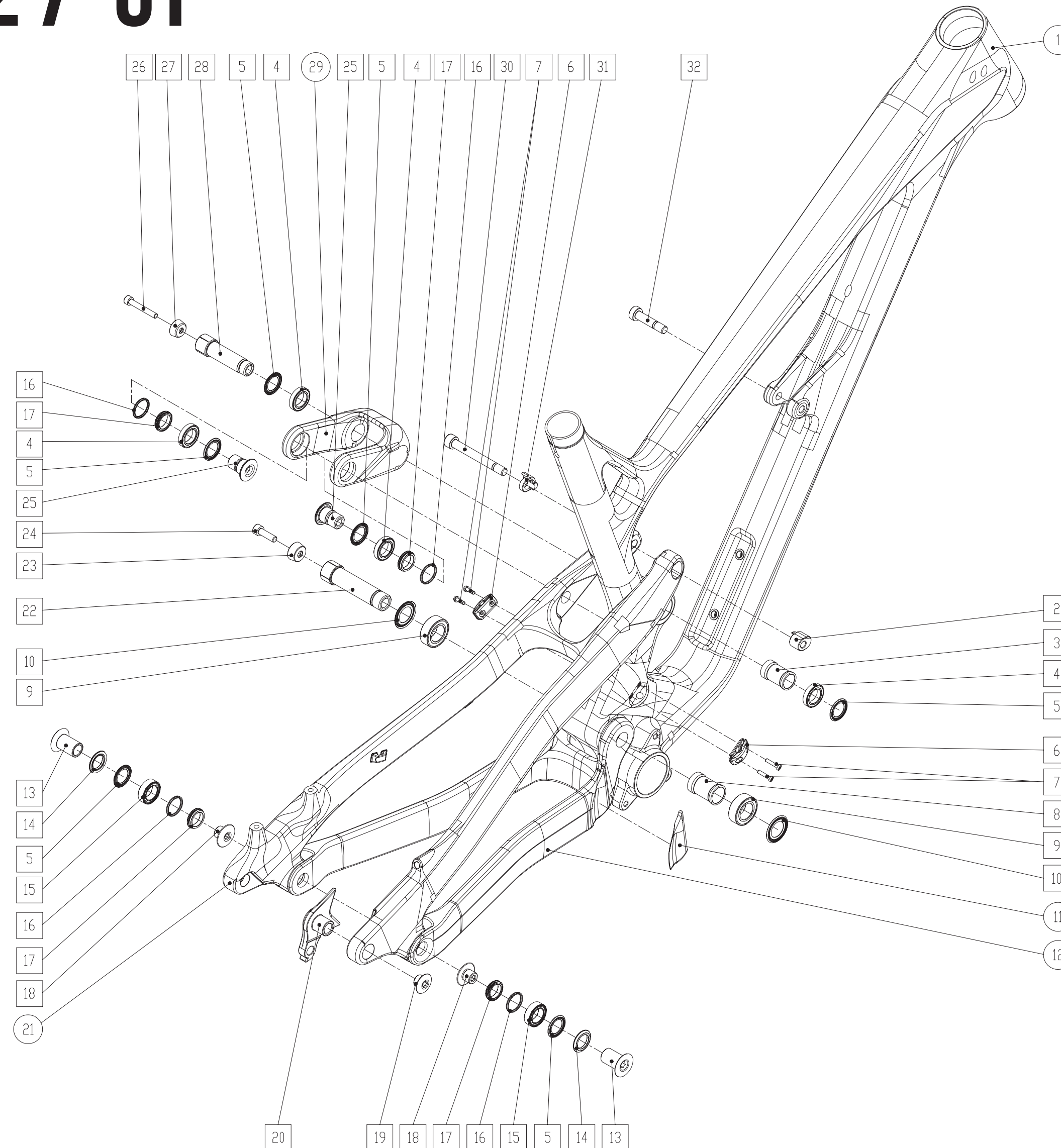


JEFFSY 29 + 27 CF



HEADSET DIMENSIONS

TOP: ZS 44 | 28,6 (1 1/8")

BOTTOM: ZS 56 | 40 (1.5")

SHOCK INSTALLATION LENGHT

29": 210 X 50/55 MM

27.5": 230 X 60/65 MM

SHOCK HARDWARE

FRONT: Ø8X20MM

REAR: Ø8X40MM

SEATPOST DIAMETER

31,6MM

SEATPOSTCLAMP INNER DIAMETER

35,6MM

BREAKMOUNT STANDARD

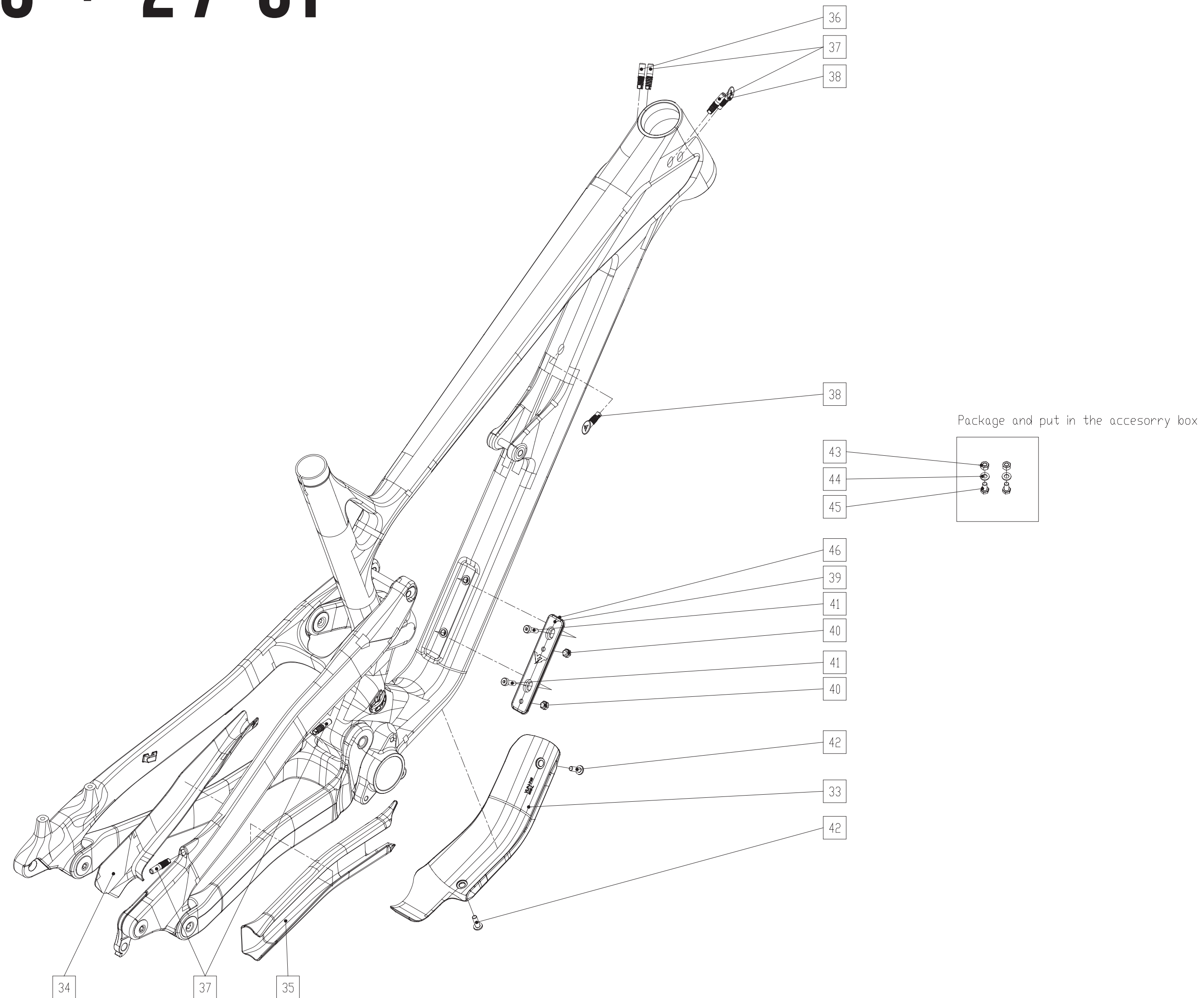
POSTMOUNT 180

BOTTOM BRACKET STANDARD

92MM GXP PRESSFIT BOTTOM BRACKET

POS.	Part description	Quantity
1	Front Triangle	1
2	FLIP CHIP	1
3	DISTANCE SLEEVE 15x30	1
4	BEARING 61802-2RS	4
5	WASHER 15x24	6
6	CABLE CLAMP	2
7	SCREW M3x16	4
8	DISTANCE SLEEVE 17x32	1
9	BEARING 3903-2RS	2
10	WASHER 17x30	2
11	METAL PROTECTOR	1
12	CHAINSTAY	1
13	HORSTLINK BOLT	2
14	DISTANCE WASHER 15x24x2,5	2
15	BEARING 63802-2RS	2
16	X-RING	4
17	DISTANCE WASHER 15x21x4,5	4
18	HORSTLINK SCREW	2
19	SCREW M12x1,5	1
20	MECH HANGER	1
21	SEATSTAY	1
22	MAIN PIVOT AXLE	1
23	TAPER WASHER	1
24	SCREW M6x20	1
25	UPPER LINK BOLT	2
26	SCREW M5x35	1
27	TAPER WASHER	1
28	LOWER LINK AXLE	1
29	LINK	1
30	REAR SHOCKBOLT	1
31	FLIPCHIP	
32	FRONT SHOCKBOLT	

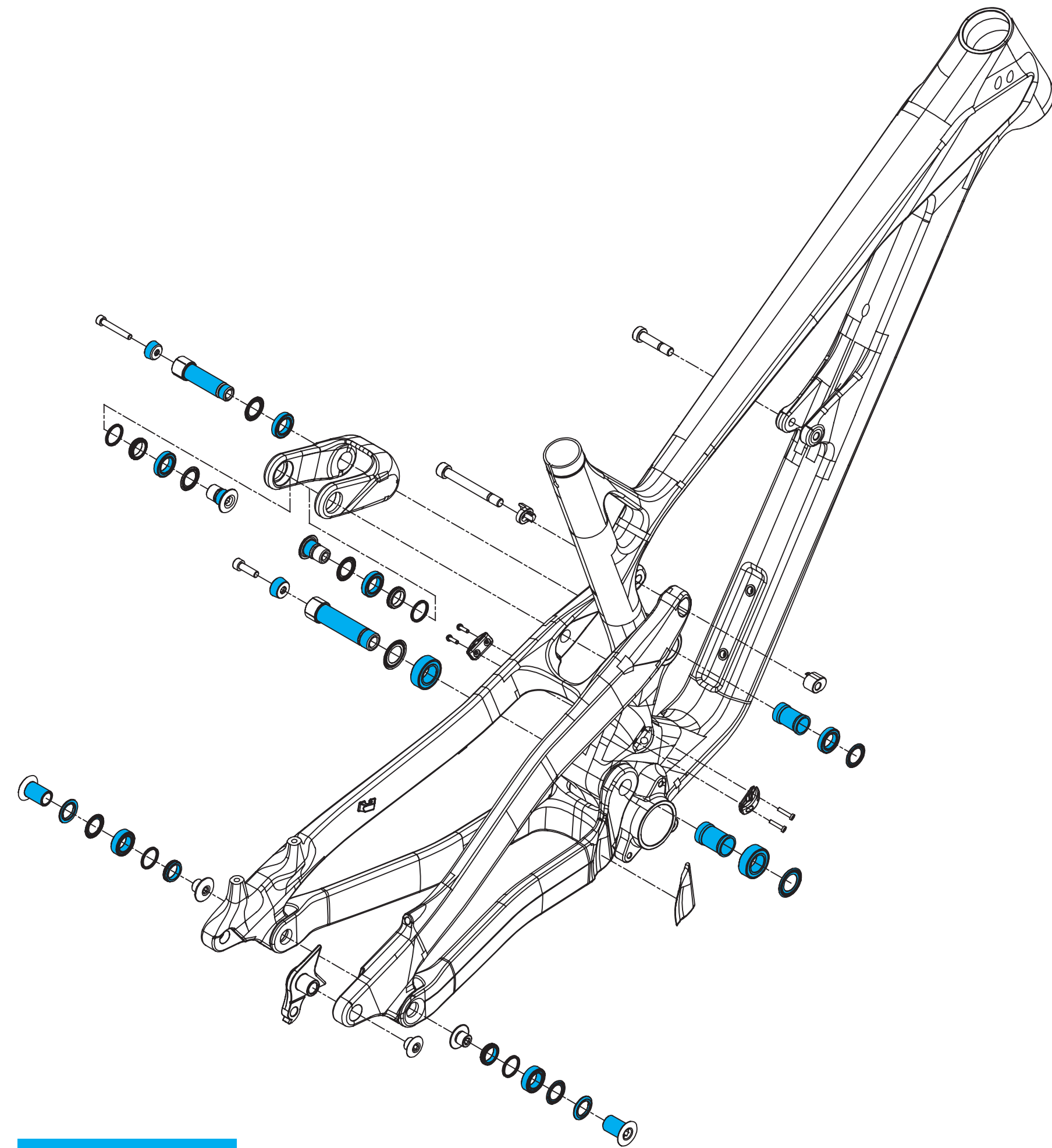
JEFFSY 29 + 27 CF



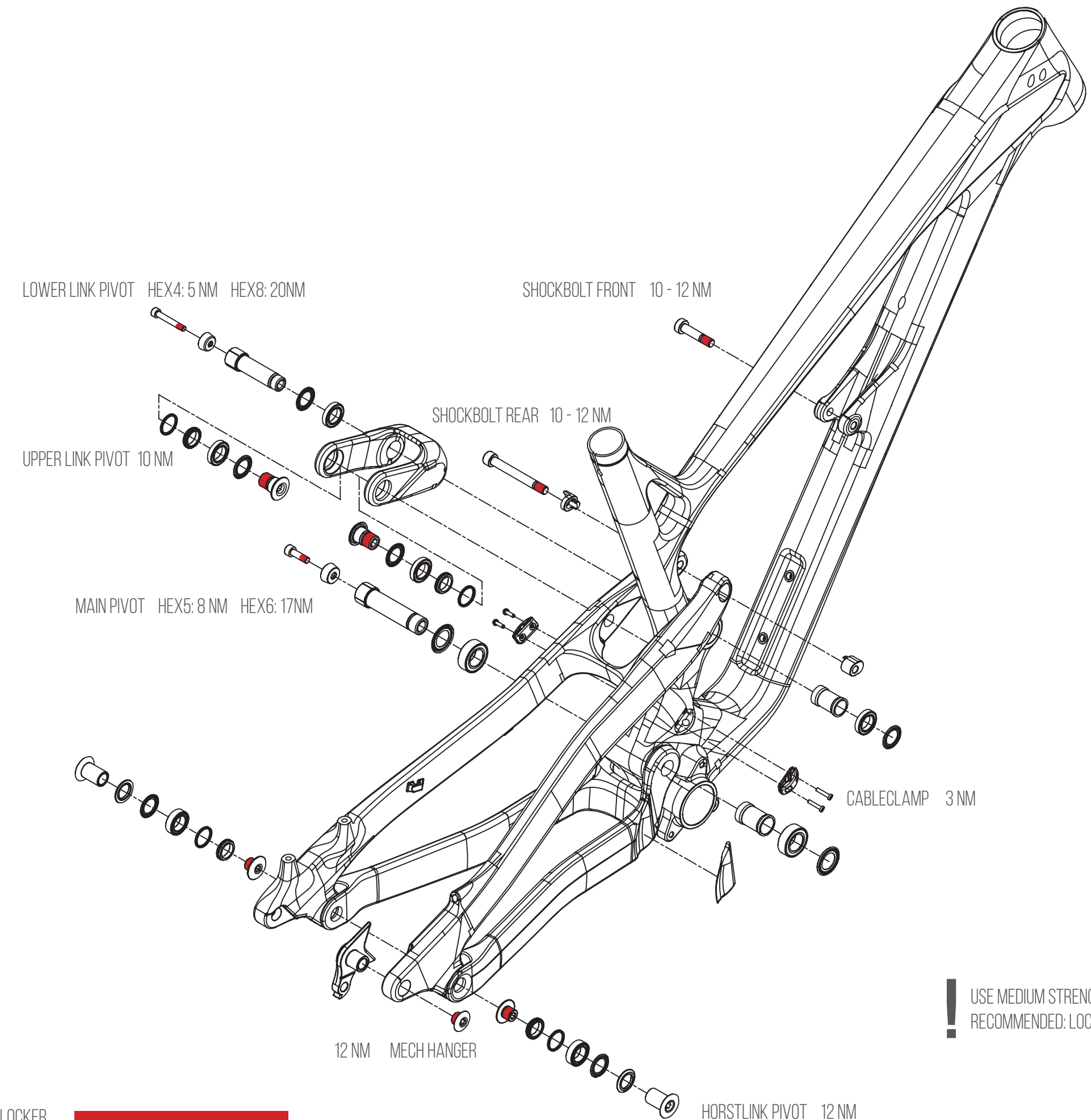
POS.	Part description	Quantity
33	DT PROTECTOR	1
34	SEATSTAY PROTECTOR	1
35	CHAINSTAY PROTECTOR	1
36	CABLE PLUG BRAKE	4
37	CABLE PLUG SHIFT	6
38	CABLE PLUG BLIND	2
39	BOTTLEMOUNT COVER	4
40	BOTTLEMOUNT COVER PLUG	1
41	SCREW M5x16	2
42	SCREW M5x16 FLATHEAD CYLINDER HEAD	2
43	NUT M5	1
44	WASHER DIN125	1
45	SCREW M5x10	2
46	O-RING 70x2MM	2

JEFFSY 29 + 27 CF

TORQUE // THREADLOCKER & GREASE INFORMATION



GREASE 



THREADLOCKER 

USE MEDIUM STRENGTH THREADLOCKER
RECOMMENDED: LOCTITE 243