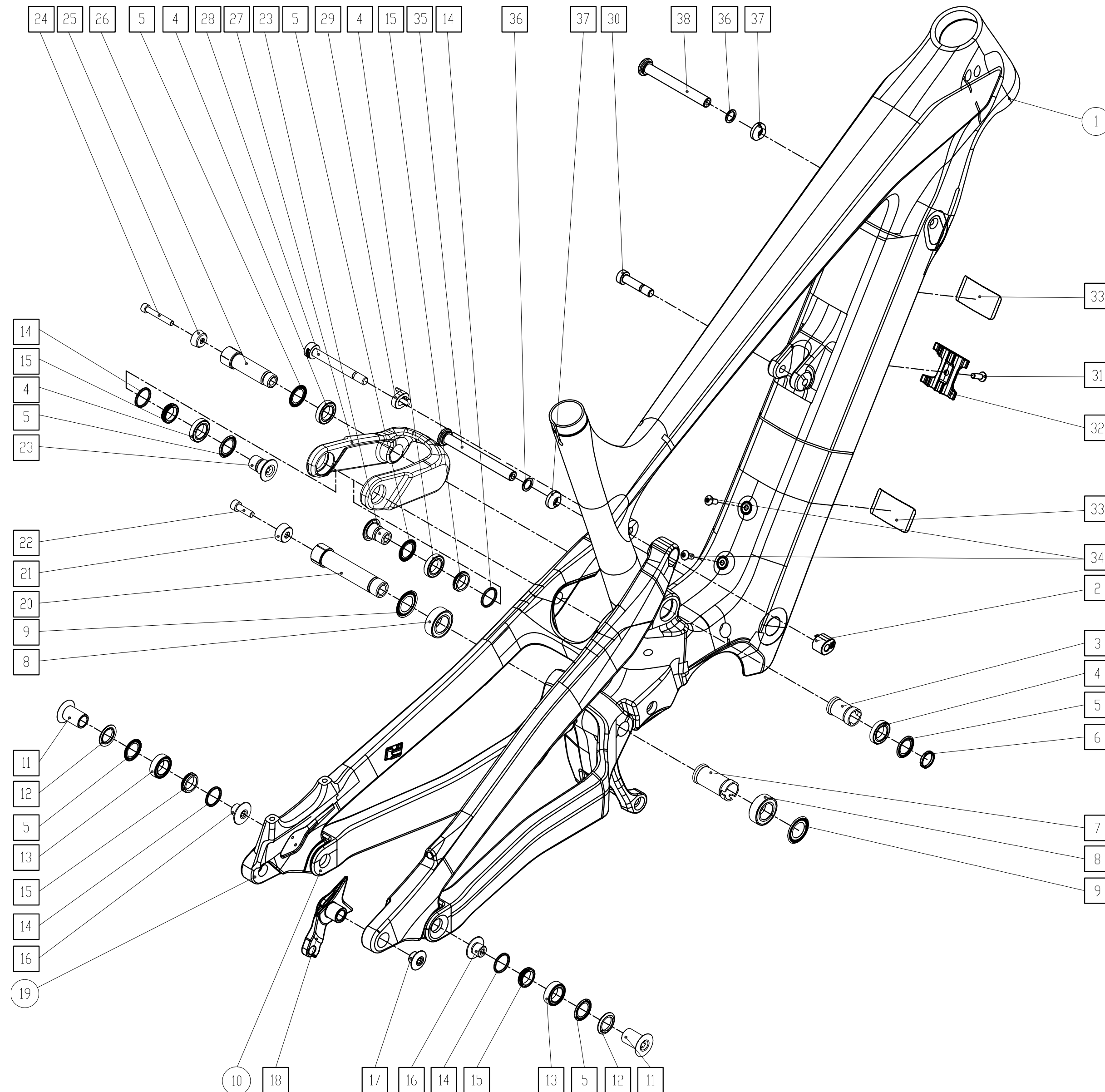


# DECOY



## HEADSET DIMENSIONS

TOP: ZS 44 | 28,6 (1 1/8")

BOTTOM: ZS 56 | 40 (1.5")

## SHOCK INSTALLATION LENGHT

230 X 60/65 MM

## SHOCK HARDWARE

FRONT: Ø8X20MM

REAR: Ø8X40MM

## SEATPOST DIAMETER

31,6MM

## SEATPOSTCLAMP INNER DIAMETER

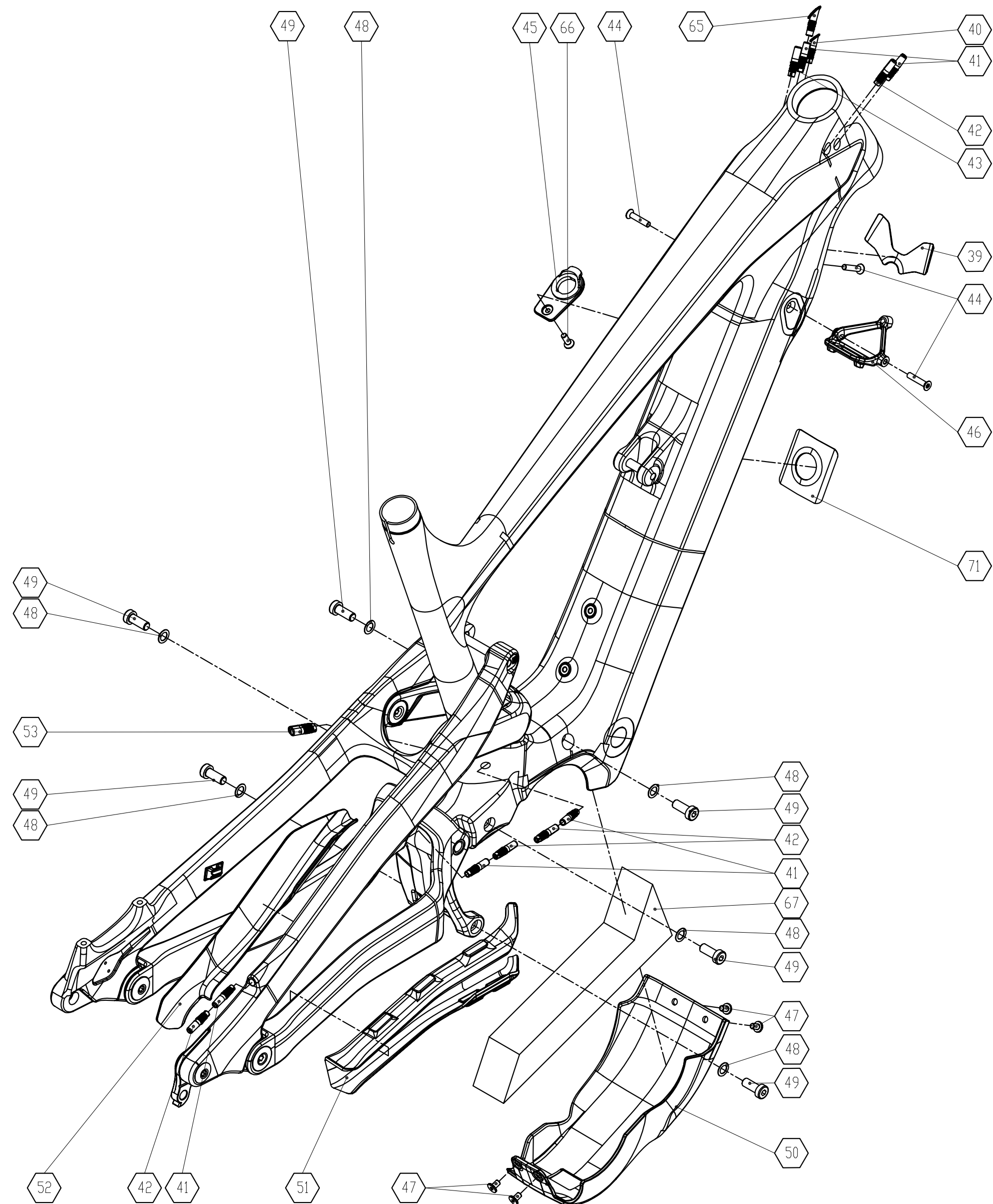
35,6MM

## BREAKMOUNT STANDARD

POSTMOUNT 180

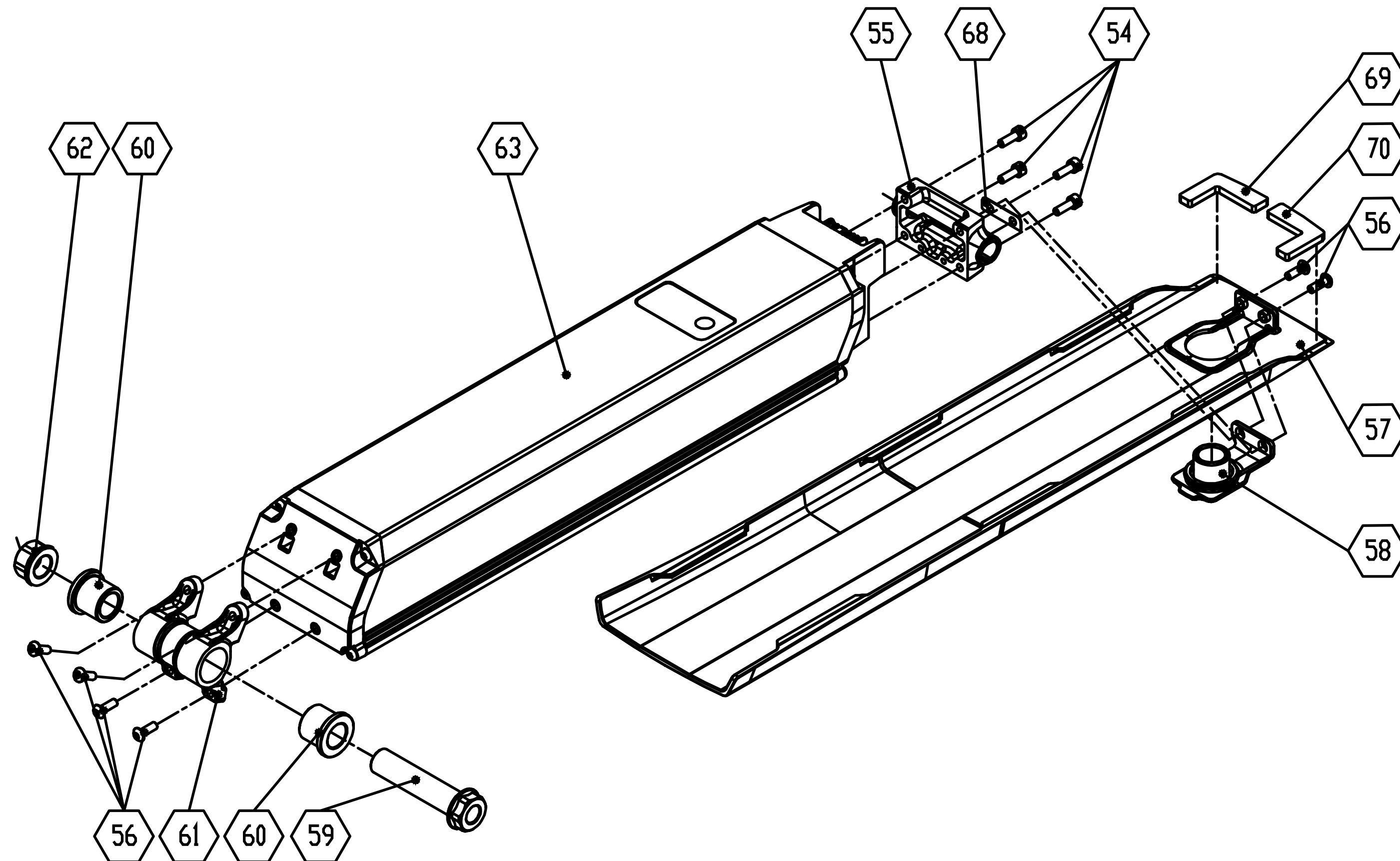
POS.	Part description	Quantity
1	FRONT TRIANGLE	1
2	FLIPCHIP-R	1
3	LOWER LINK SLEEVE	1
4	BEARING 61802-2RS	4
5	ACROS WASHER	6
6	DISTANCE WASHER	1
7	DISTANCE SLEEVE	1
8	BEARING 3903-2RS	2
9	ACROS WASHER	2
10	CHAINSTAY	1
11	HORSTLINK BOLT	2
12	DISTANCE WASHER	2
13	BEARING 63802-2RS	2
14	X RING	4
15	DISTANCE WASHER	4
16	HORSTLINK SCREW	2
17	SCREW M12x1,5	1
18	MECH HANGER	1
19	SEATSTAY	1
20	MAIN PIVOT AXLE	1
21	TAPER WASHER	1
22	SCREW DIN 912 M6x20	1
23	UPPER LINK BOLT	2
24	SCREW DIN912 M5x35	1
25	TAPER WASHER	1
26	LOWER LINK AXLE	1
27	LINK	1
28	REAR SHOCK BOLT	1
29	FLIPCHIP-L	1
30	FRONT SHOCK BOLT	1
31	SCREW M5x16	1
32	CABLE CLAMP	1
33	CABLE GUIDE	2
34	M5 COVER SCREW	2
35	LOWER BATTERY BOLT	1
36	BATTERY MOUNT WASHER	2
37	BATTERY MOUNT CONE	2
38	UPPER BATTERY BOLT	1

# DECOY



POS.	Part description	Quantity
39	FORK PROTECTOR	1
40	CABLE PLUG BLIND/LIGHT	1
41	CABLE PLUG SHIFT	1
42	CABLE PLUG ELECTRIC	1
43	CABLE PLUG BRAKE	1
44	SCREW ISO 14582 M5x25	3
45	SATELITESWITCH BASEPLATE	1
46	SUBFRAME DISCHARGE CONNECTOR	1
47	FLATHEAD CYLINDER HEAD SCREW M5x8	4
48	DISTANCE WASHER	6
49	SCREW DIN 7984 M8 x 20	6
50	SKIDPLATE	1
51	CHAINSTAY PROTECTOR	1
52	SEATSTAY PROTECTOR	1
53	CABLE PLUG BRAKE/ELECTRIC	1
54	SCREW ISO 4762 M4x12	4
65	CABLE PLUG BLIND	1
66	SCREW ISO 10642 M4x16	1
67	DU FOAM	1
71	RUBBER PATCH	1

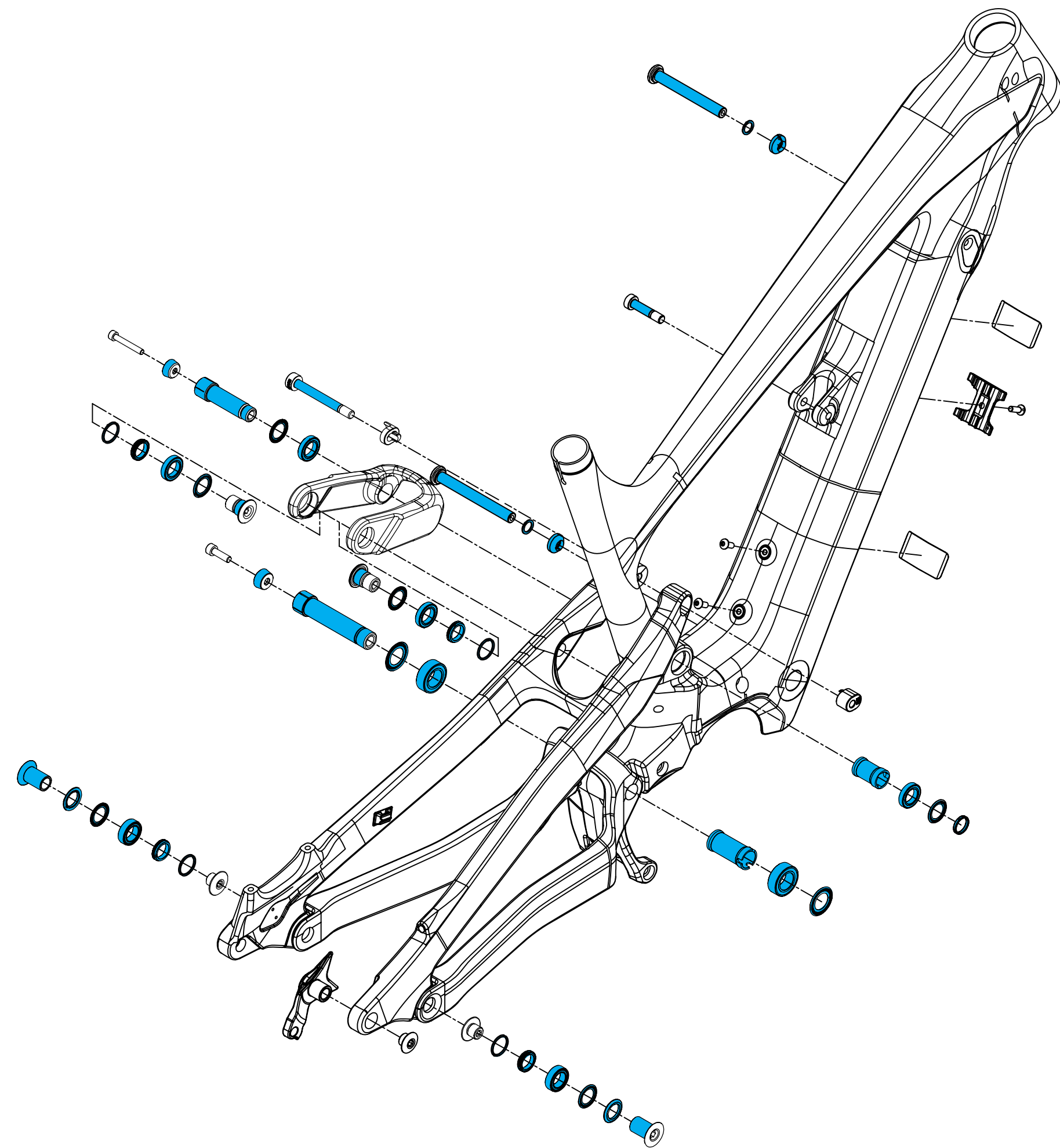
# DECOY BATTERY YT-01-50S



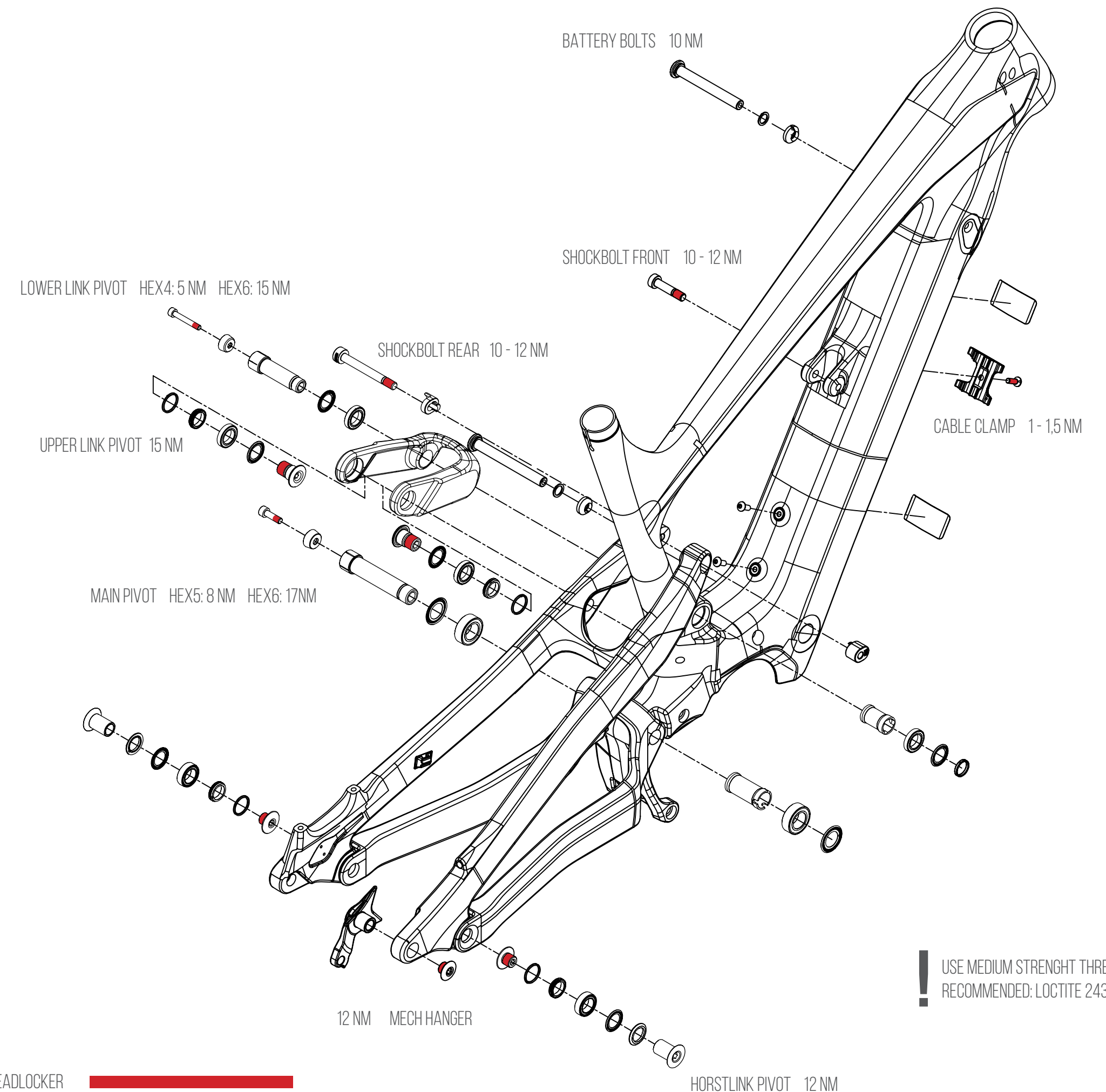
POS.	Part description	Quantity
54	SCREW ISO 4762 M4x12	4
55	UPPER BATTERY MOUNT	1
56	SCREW ISO 7380 M4x12	6
57	BATTERY COVER	1
58	CHARGING CONNECTOR SEALING	1
59	BATTERY MOUNT BOLT	1
60	RUBBER BUSHING	2
61	LOWER BATTERY MOUNT	1
62	LOWER BATTERY MOUNT NUT	1
63	BATTERY	1
68	BATTERY WASHER	1
69	BATTERY FOAM NDS	1
70	BATTERY FOAM DS	1

# DECOY

TORQUE // THREADLOCKER & GREASE INFORMATION



GREASE 



THREADLOCKER 

USE MEDIUM STRENGTH THREADLOCKER  
RECOMMENDED: LOCTITE 243