

IZZO 29 CF



HEADSET DIMENSIONS

TOP: ZS44|28,6 (11/8")

BOTTOM: ZS56|40 (1.5")

SHOCK INSTALLATION LENGTH

29": 210X55MM

SHOCK HARDWARE

FRONT: Ø8X30MM

REAR: Ø8X30MM

SEAT POST DIAMETER

31,6MM

SEAT POST CLAMP INNER DIAMETER

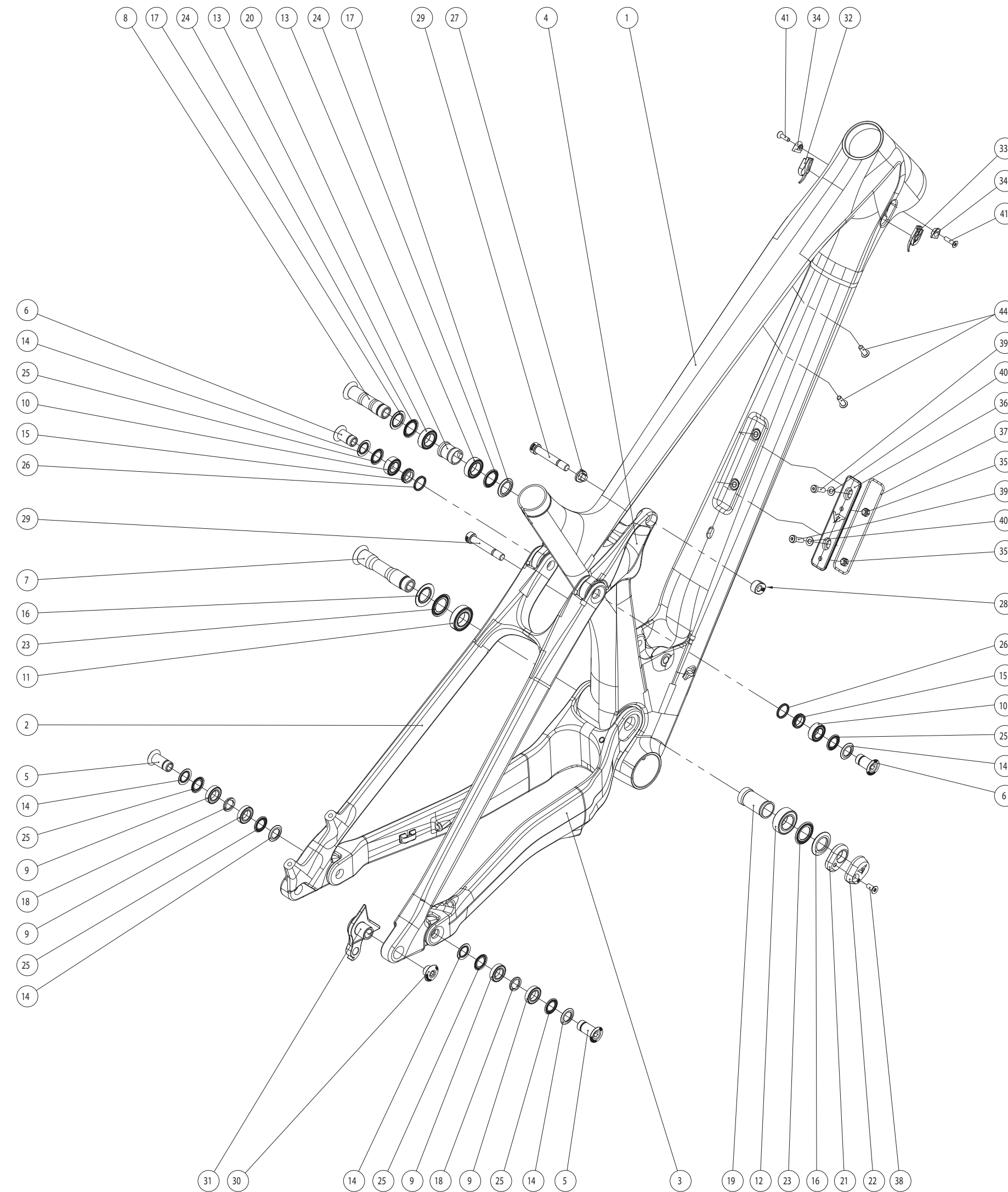
35,6MM

BREAK MOUNT STANDARD

POST MOUNT 160

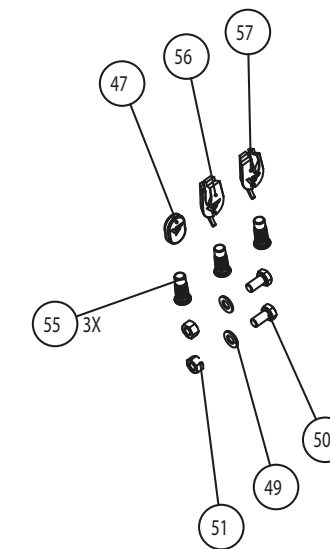
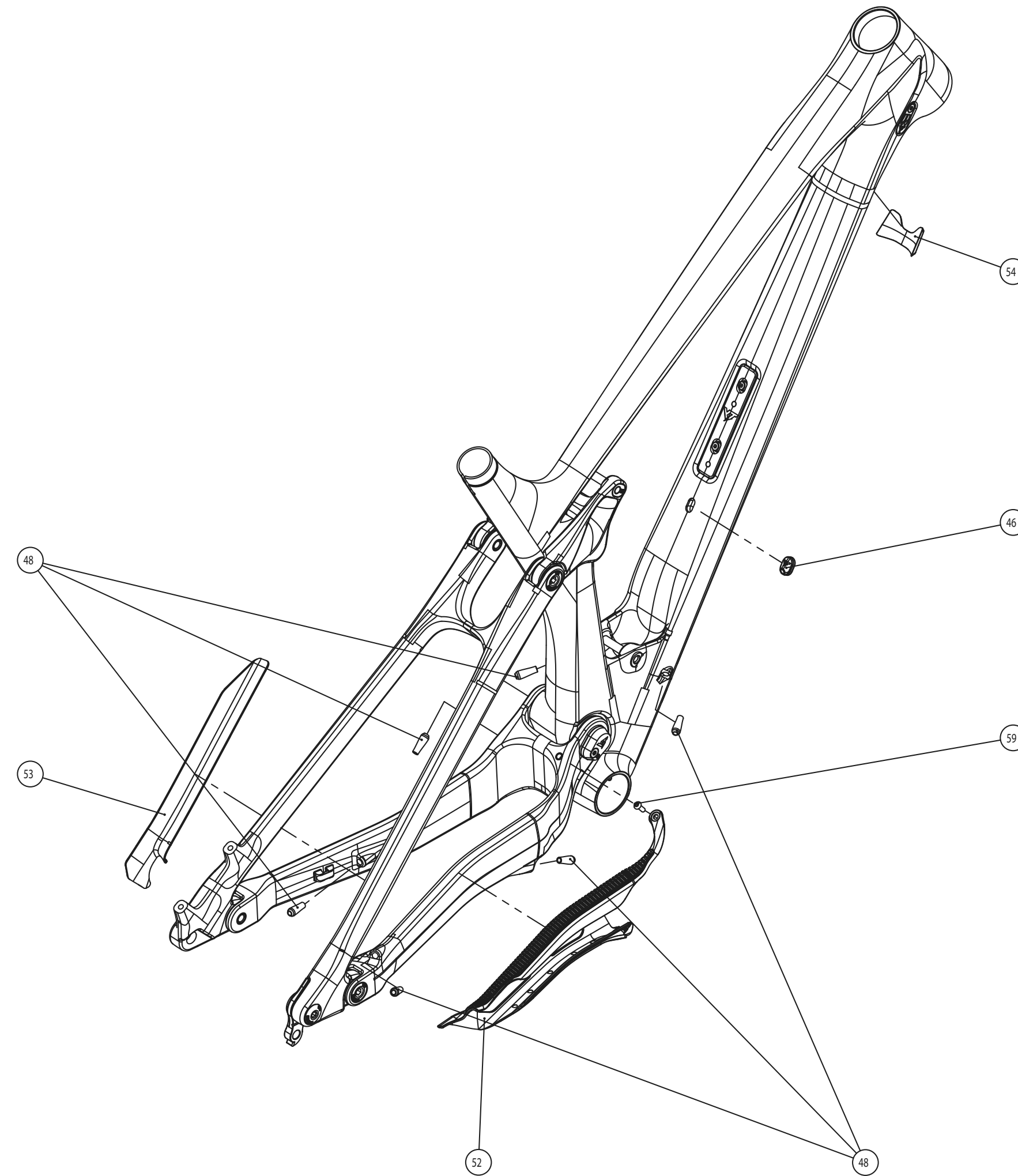
BOTTOM BRACKET STANDARD

PRESS FIT 92MM



POS.	Part description	Quantity
1	FRONT TRIANGLE	1
2	SEATSTAY	1
3	CHAINSTAY	1
4	ROCKERARM	1
5	AXLE HORSTLINK	2
6	AXLE UPPER ROCKER	2
7	AXLE MAINPIVOT	1
8	AXLE LOWER ROCKER	1
9	BEARING 61801-2RSR	4
10	BEARING 63801-2RS	2
11	BEARING 61903-2RS	1
12	BEARING 3903-2RS	1
13	BEARING 63802-2RS	2
14	WASHER 12x21x1,5	6
15	WASHER 12x18x4	2
16	WASHER 17x30x2,5	2
17	WASHER 15x24x2,5	2
18	SLEEVE 12x2	2
19	SLEEVE 17x40	1
20	SLEEVE 15x23	1
21	NUT M16x1 M5	1
22	CABLE CAP	1
23	SEALING WASHER	2
24	SEALING WASHER	2
25	SEALING WASHER	6
26	X RING	2
27	FLIPCHIP NDS	1
28	FLIPCHIP DS	1
29	SHOCKBOLT	2
30	SCREW M12x1,5	1
31	HANGER	1
32	CABLE CLAMP	1
33	CABLE CLAMP	1
34	CABLE CLAMP	2
35	BOTTLEMOUNT COVER PLUG	2
36	BOTTLEMOUNT COVER	1
37	O RING 70x2	1
38	SCREW M5x12	1
39	SCREW M5x16	2
40	WASHER 10x5,3x1	2
41	SCREW M4x16	2
44	SCREW M5x15	2

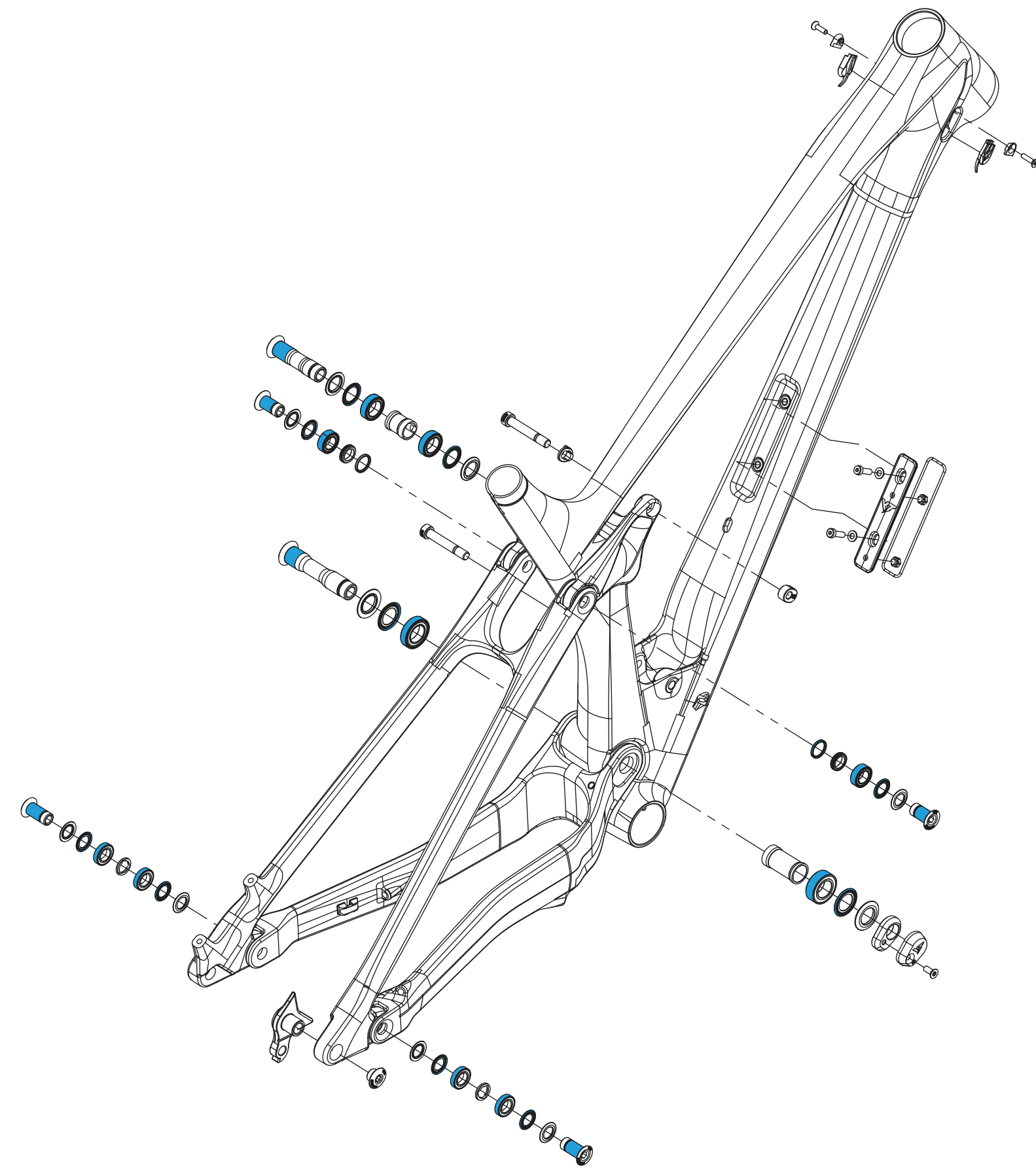
IZZ029CF



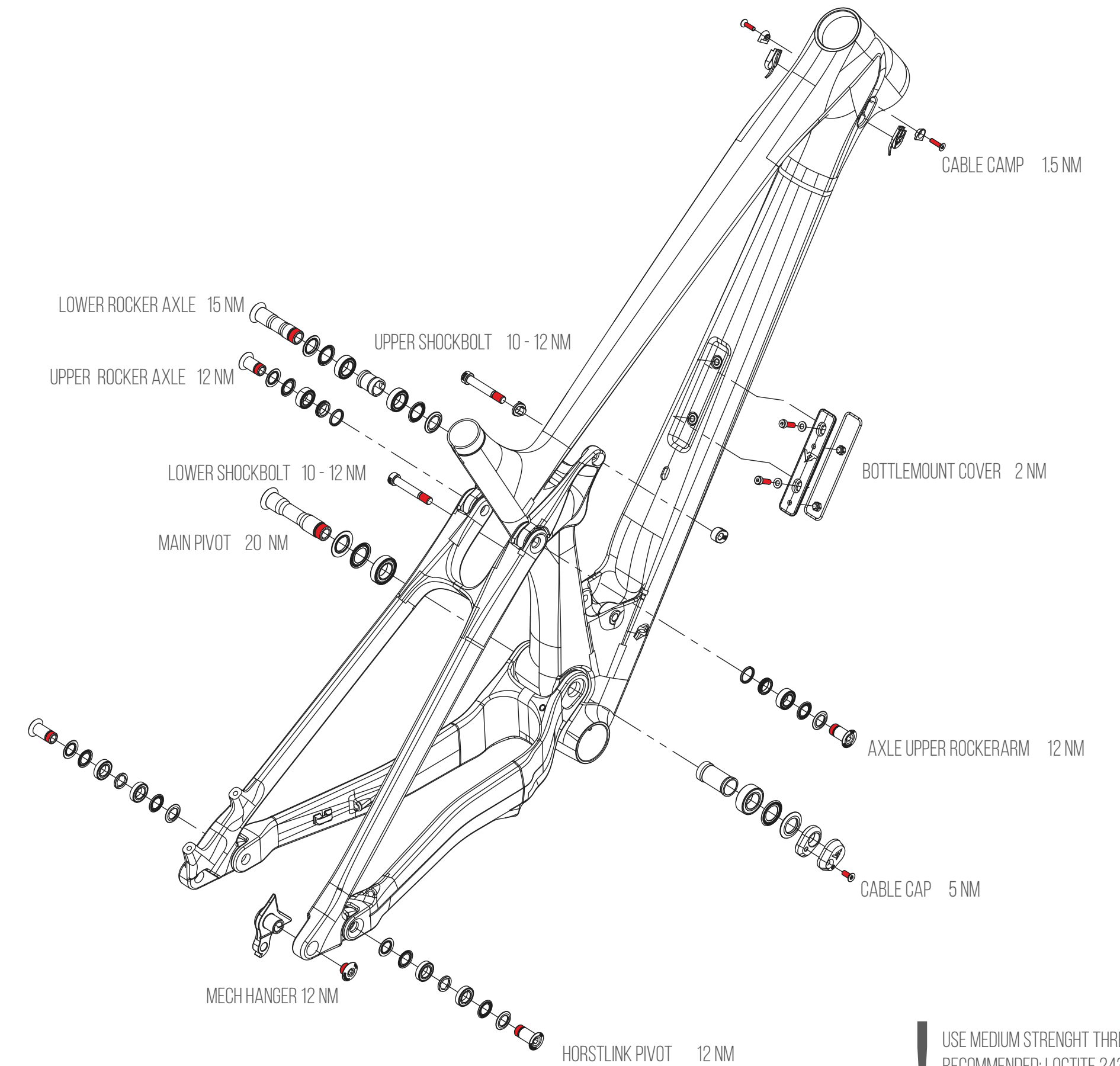
POS.	Part description	Quantity
46	CABLEPLUG SHOCK	1
47	CABLEPLUG SHOCK BLIND	1
48	CABLEPLUG	6
49	WASHER 10x5,3x1	2
50	SCREW M5x10	2
51	NUT M5	2
52	CS PROTECTOR	1
53	SS PROTECTOR	1
54	FORK PROTECTOR	1
55	CABLEPLUG BLIND	3
56	CABLE CLAMP	1
57	CABLE CLAMP	1
59	SCREW M4x12	1

IZZ029CF

TORQUE // THREADLOCKER & GREASE INFORMATION



GREASE



THREADLOCKER

USE MEDIUM STRENGTH THREADLOCKER
RECOMMENDED: LOCTITE 243